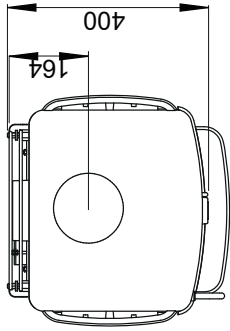
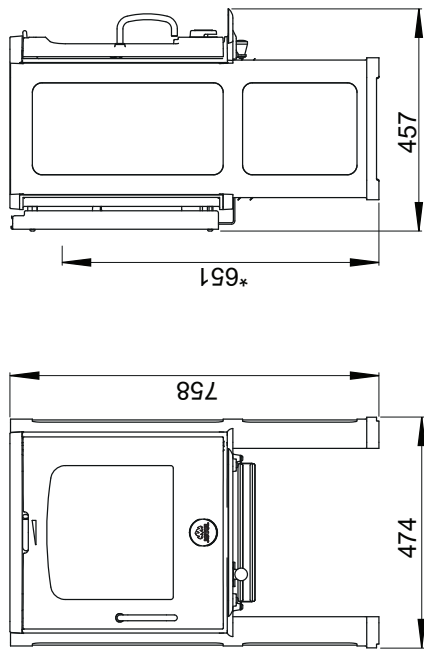


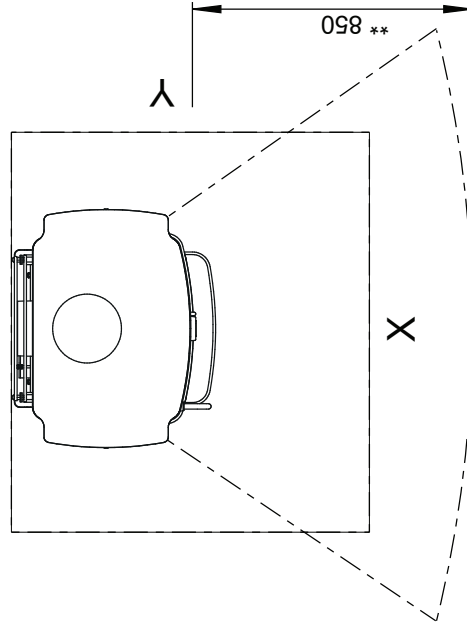
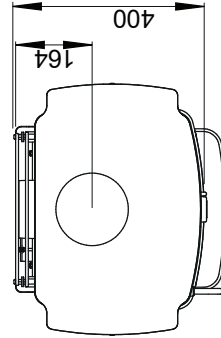
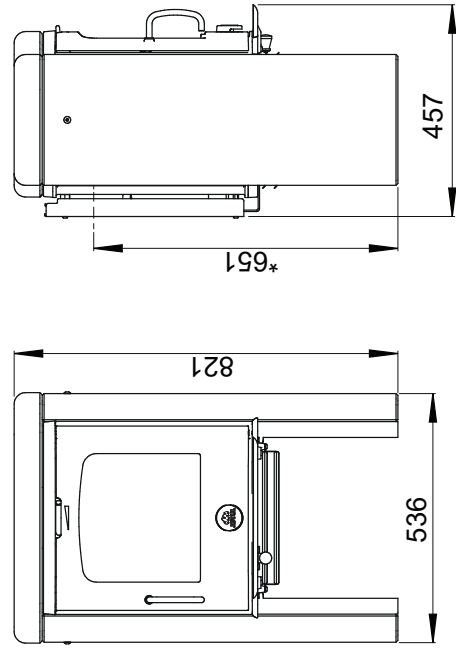
Jøtul F 145 / Jøtul F 145 S

Fig 1a

Jøtul F 145 (Convection model)



Jøtul F 145 S (Soapstone model)



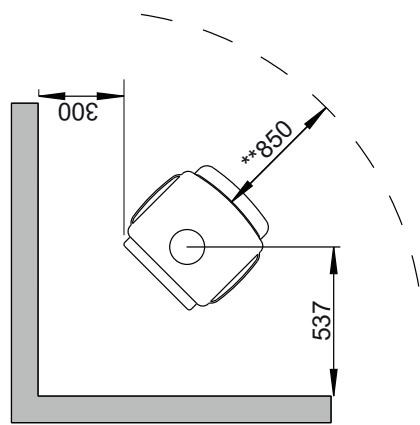
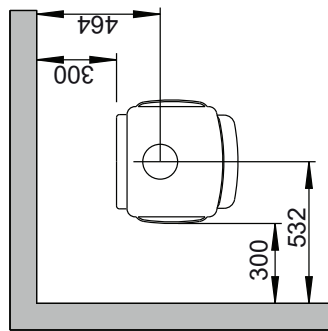
Min. measurements floor plate  
X/Y = according to national laws  
and regulations

- \* Center rear smoke outlet
- \*\* Minimum distance to furniture / combustible material

Minimum distance to combustible wall

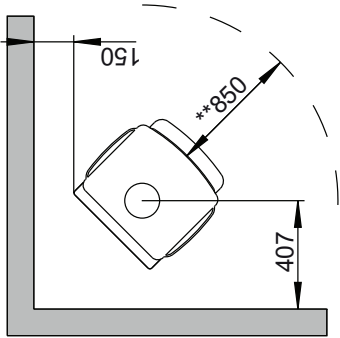
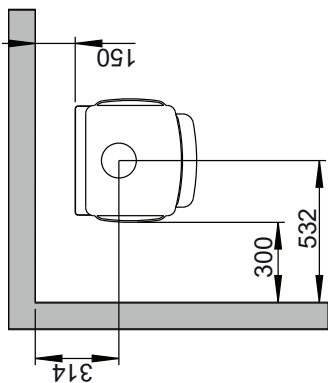
Fig 1b

Jøtul F 145

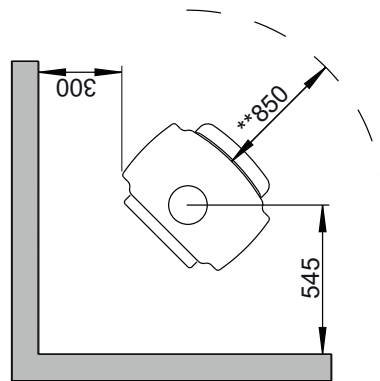
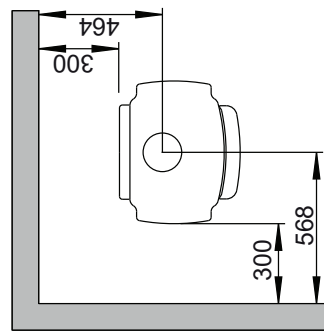


Jøtul F 145

Inclusive rear optional convection shield (part. no. 50013025)

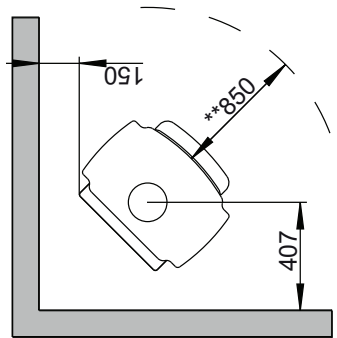
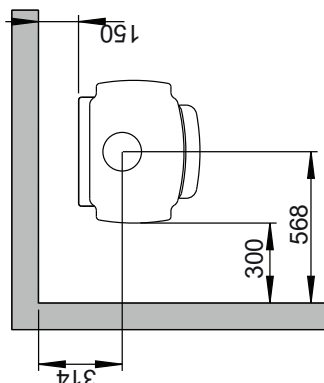


Jøtul F 145 S



Jøtul F 145 S

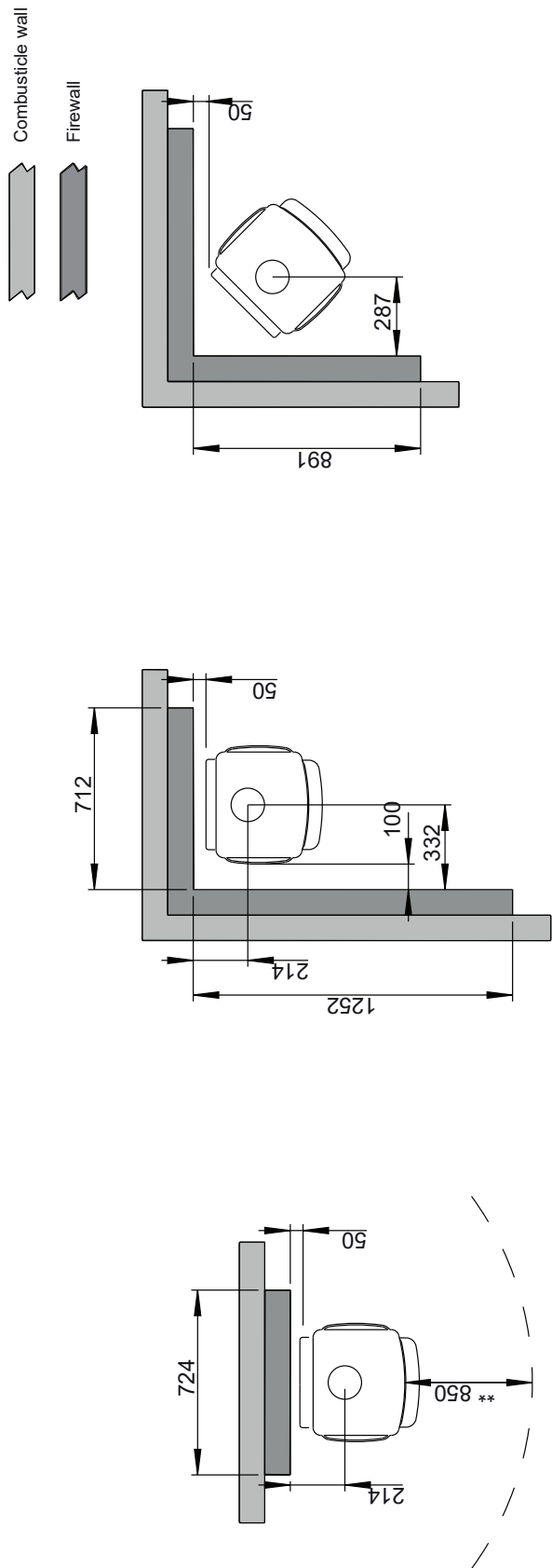
Inclusive rear optional convection shield (part. no. 50013027)



Minimum distance to incumbent firewall

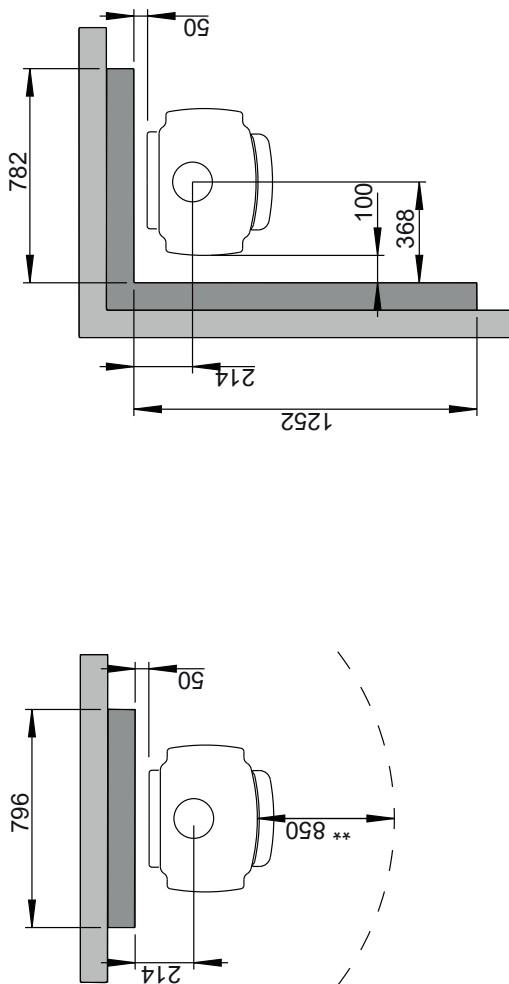
Fig 1c

Jøtul F 145



All dimensions are with semi-insulated / shielded flue pipe all the way down to the product

Jøtul F 145 S



All dimensions are with semi-insulated / shielded flue pipe all the way down to the product

900207-P01