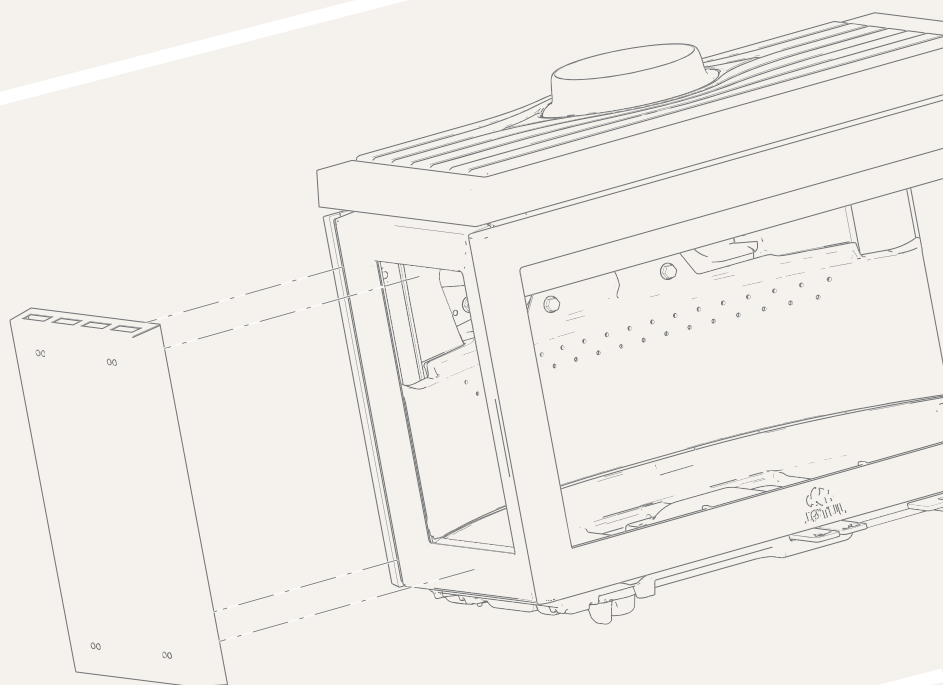




F 620 OPTIONAL EXTRAS

INSTRUCTIONS

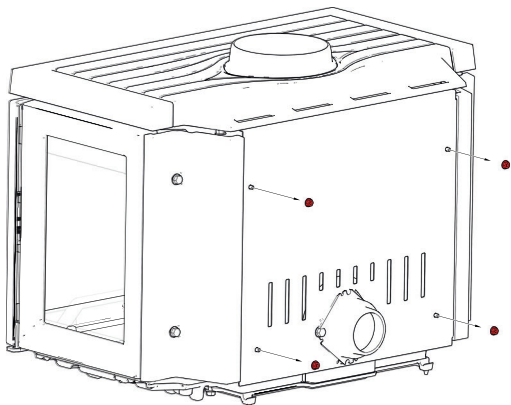


Jøtul AS, November. 2022

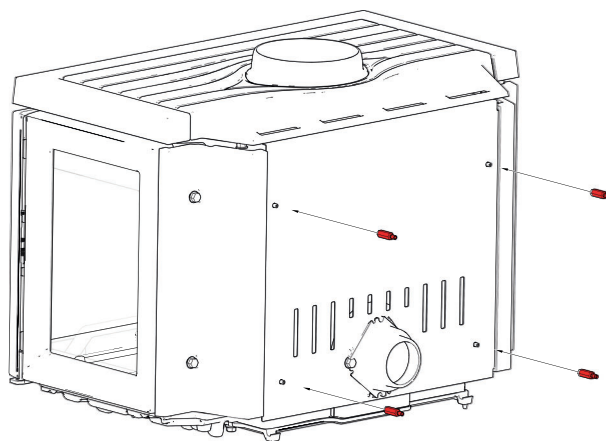
Jøtul AS,
P.o. box 1411
N-1602 Fredrikstad,
Norway
intl.jotul.com

F 620 CONVECTION SHIELD BACK

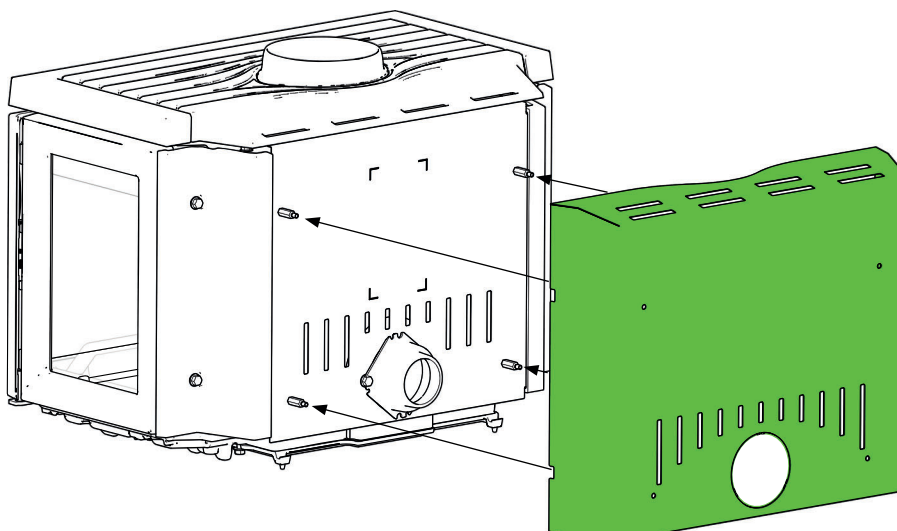
1



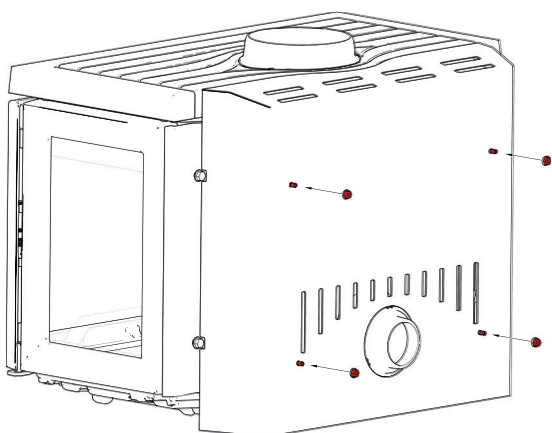
2




3



4



5

Product:
Jøtul F 620 F, FR, FL, Heatshield back, Convection kit 

Room heater fired by solid fuel DoP: FE2019-CPR-000822

Standard EN 15493:2014/AC:2020A2:2024
 Minimum distance to combustible materials SIDE WITH GLASS: 600 mm
 Minimum distance to combustible materials SIDE WITH CAST IRON: 400 mm
 Minimum distance to combustible materials SIDE WITH CAST IRON + HEATSHIELD: 300 mm

Minimum distance to combustible materials REAR: 200 mm
 Minimum distance to combustible materials REAR WITH HEATSHIELD: 100 mm
 Minimum distance to combustible materials FLOOR: See manual

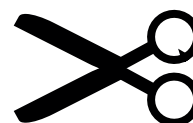
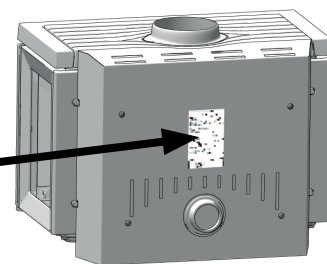
Emission of CO₂ combustion products (12% O₂): 16,07%
 Flue gas temperature: 227°C
 Flue gas heat output: 5,2 kW
 Efficiency: 77 %
 Fuel type: Wood
 Operation type: Electric safety
 The appliance can be used in 5th and 6th floor.

Country	Classification	Standard	Approved by
EUR	Intermittent	EN 15240	Danish Technological Institute

Follow user's instructions. Use only recommended fuels.
 Montage- und Bedienungsanleitung beachten.
 Verwenden Sie nur empfohlenen Brennstoffen.
 Respectez les consignes d'utilisation. Utilisez uniquement les combustibles recommandés.

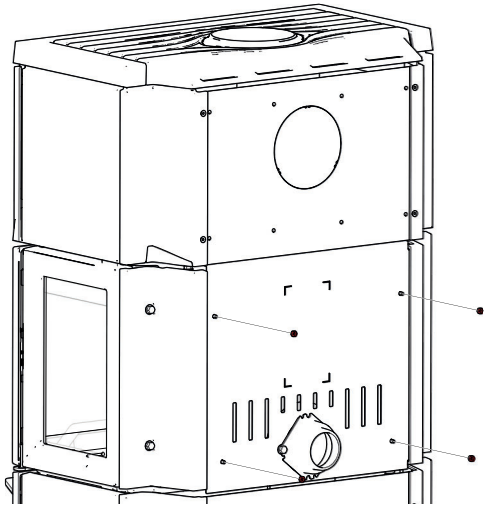
1000102100

Cut off this part and replace the label already attached to the product with this one

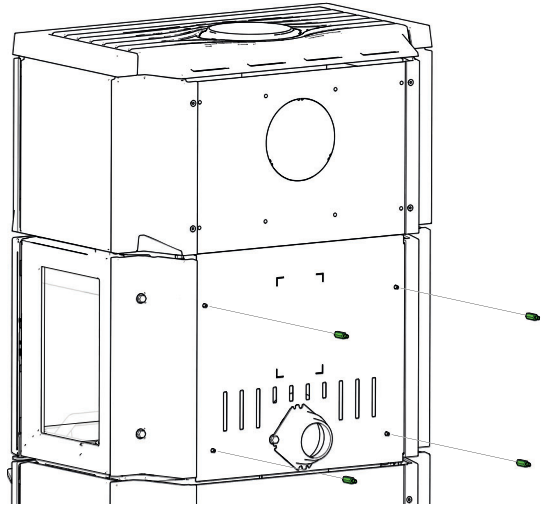


F620 HIGH TOP MANUAL CONVECTION SHIELD

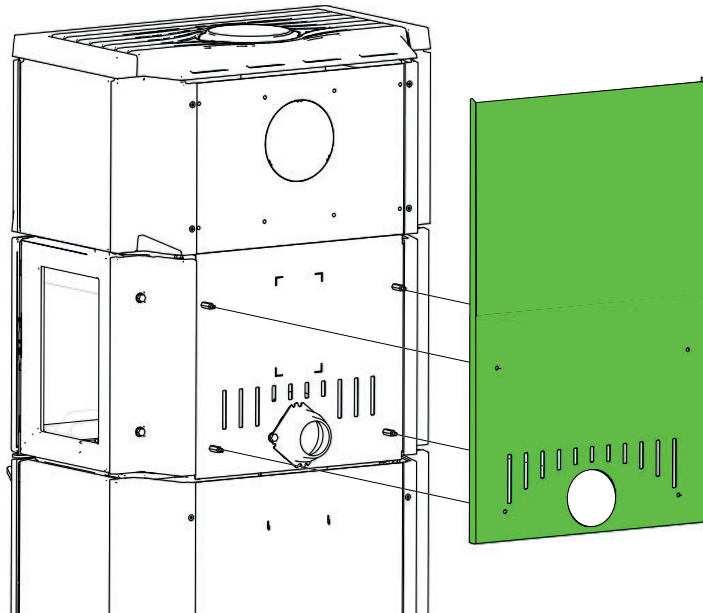
1



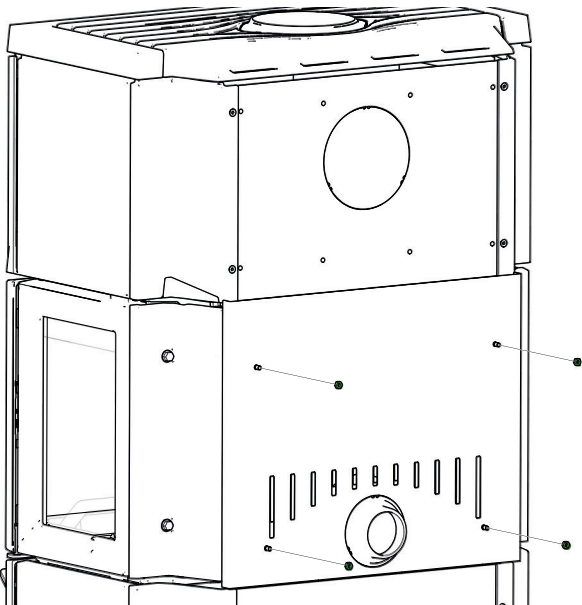
2




3



4



5

Product:
Jøtul F 620 F, FR, FL,
Heatshield back, Convection kit 

Room heater fired by solid fuel DoP: F620HS-CPR-300822

Standard EN 15240:2007+A2:2008
 Minimum distance to combustible materials SIDE WITH GLASS: 600 mm
 Minimum distance to combustible materials SIDE WITH CAST IRON: 400 mm
 Minimum distance to combustible materials SIDE WITH CAST IRON + HEATSHIELD: 300 mm

Minimum distance to combustible materials REAR: 200 mm
 Minimum distance to combustible materials REAR WITH HEATSHIELD: 100 mm
 Minimum distance to combustible materials FLOOR: See manual

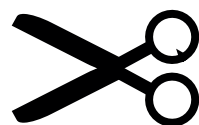
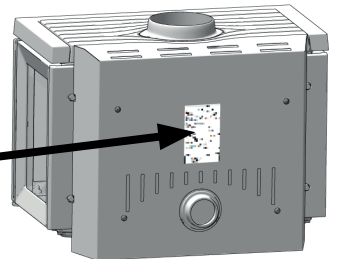
Emission of CO₂ combustion products (12% O₂): 8,07%
 Flue gas temperature: 227°C
 Nominal heat output: 8,0 kW
 Efficiency: 77 %
 Fuel type: Wood
 Operation type: Electric safety
 The appliance can be used in Emission class:

Country	Classification	Standard	Approved by
EUR	Intermittent	EN 15240	Danish Technological Institute

Follow user's instructions. Use only recommended fuels.
 Montage- und Bedienungsanleitung beachten.
 Verwenden Sie nur empfohlenen Brennstoffe.
 Respectez les consignes d'utilisation. Utilisez uniquement les combustibles recommandés.

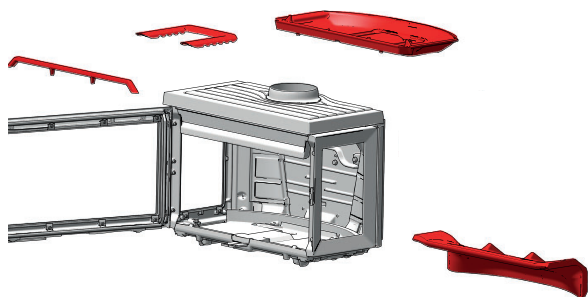
1000102210

Cut off this part and replace the label already attached to the product with this one

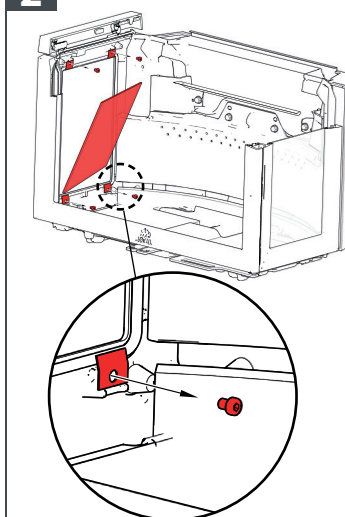


F 620 CONVECTION SHIELD SIDE

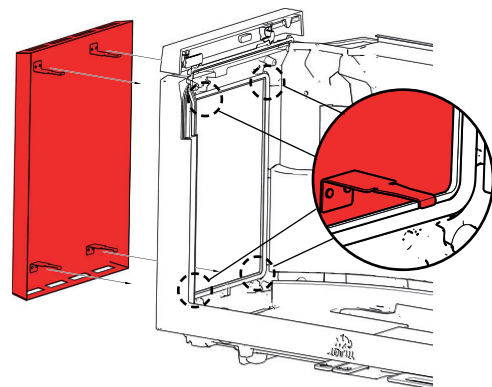
1



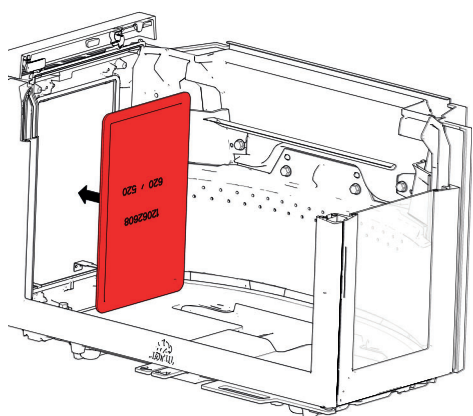
2



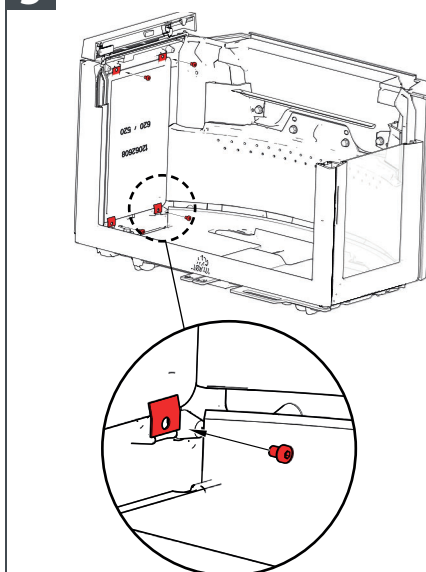
3



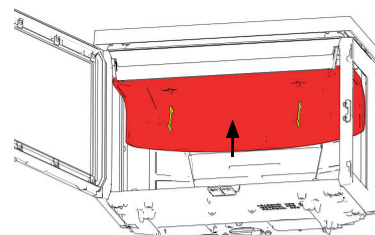
4



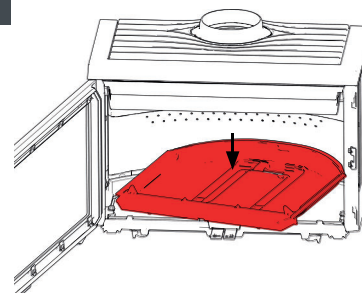
5



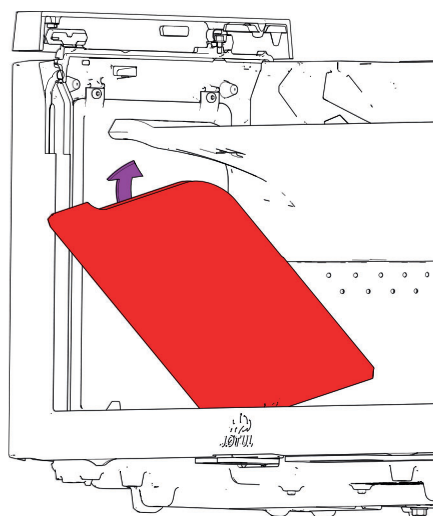
6



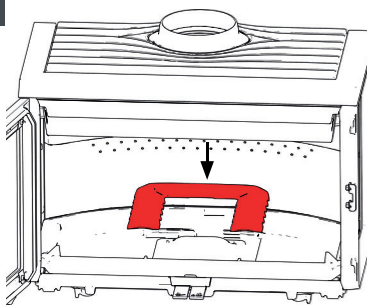
7



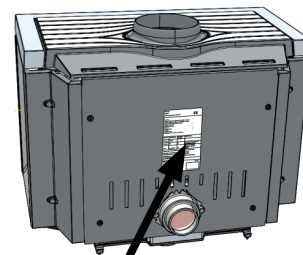
8



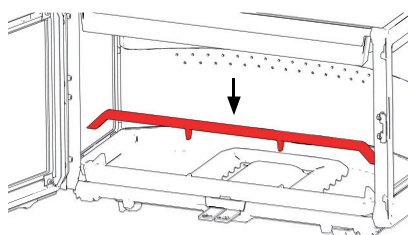
9




11



10



Product: **Jetul F 620 F, FR, FL, Heatshield back, Convection kit** 

Room heater fired by solid fuel Døf: F620NF-CPH-300822

Standard: EN 13240:2014C:2004C:2004
 Minimum distance to combustible materials SIDE WITH GLASS: 600 mm
 Minimum distance to combustible materials SIDE WITH CAST IRON: 400 mm
 Minimum distance to combustible materials SIDE WITH CAST IRON + HEATSHIELD: 300 mm

Minimum distance to combustible materials REAR: 300 mm
 Minimum distance to combustible materials HEATSHIELD: 100 mm
 Minimum distance to combustible materials FLOOR: See manual

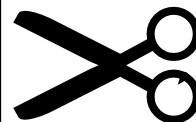
Emission of CO in combustion products (1% O₂): 0,07%
 Flue gas temperature: 272°C
 Nominal heat output: 5,5 kW
 Efficiency: 77%
 Fuel type: Wood
 Combustion type: Intermittent
 Electrical safety: -
 The appliance can be used in a shared room.

Country	Classification	Standard	Approved by
EUR	Intermittent	EN 13240	Danish Technological Institute

Follow user's instructions. Use only recommended fuels.
 Montage- und Bedienungsanleitung beachten.
 Vorwenden Sie nur empfohlenen Brennstoffe.
 Respectez les consignes d'utilisation. Utilisez uniquement les combustibles recommandés.

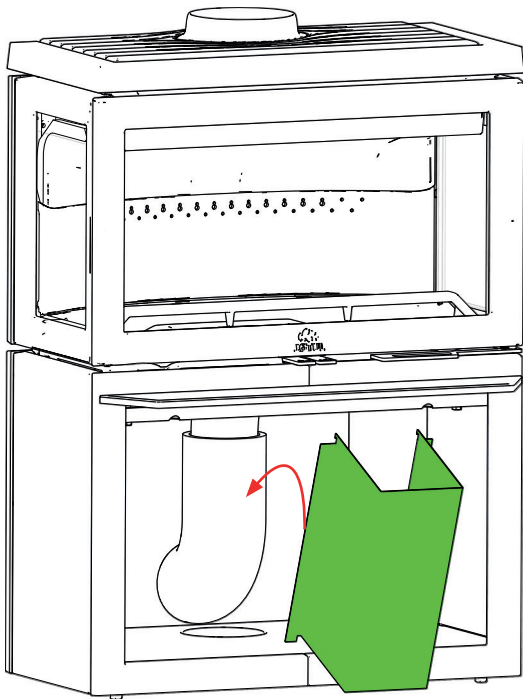
1001121010

Cut off this part and replace the label already attached to the product with this one

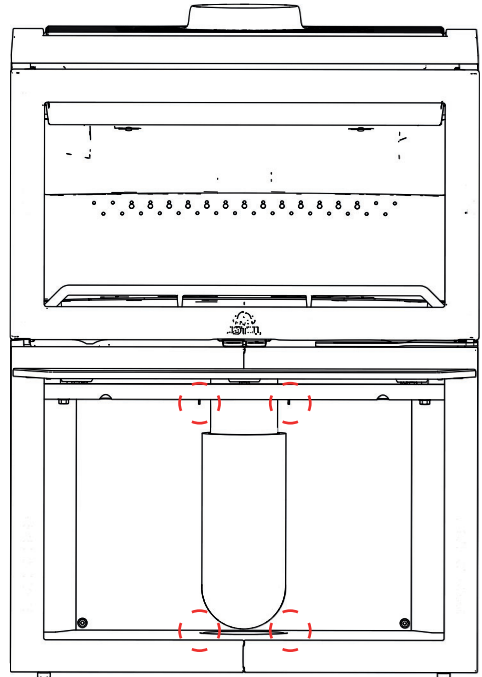


F 620 B COVER OUTSIDE AIR

1



2



3

