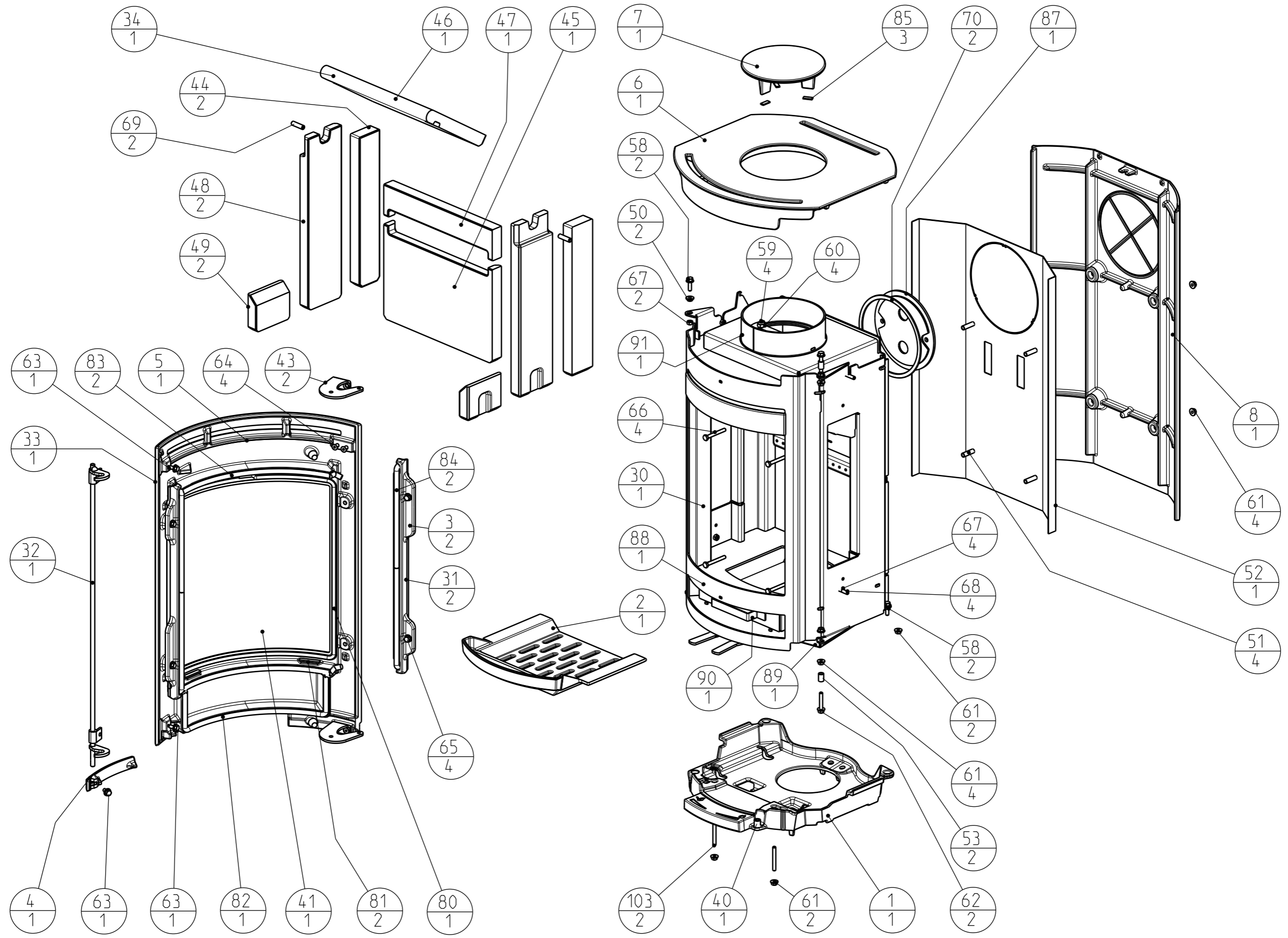
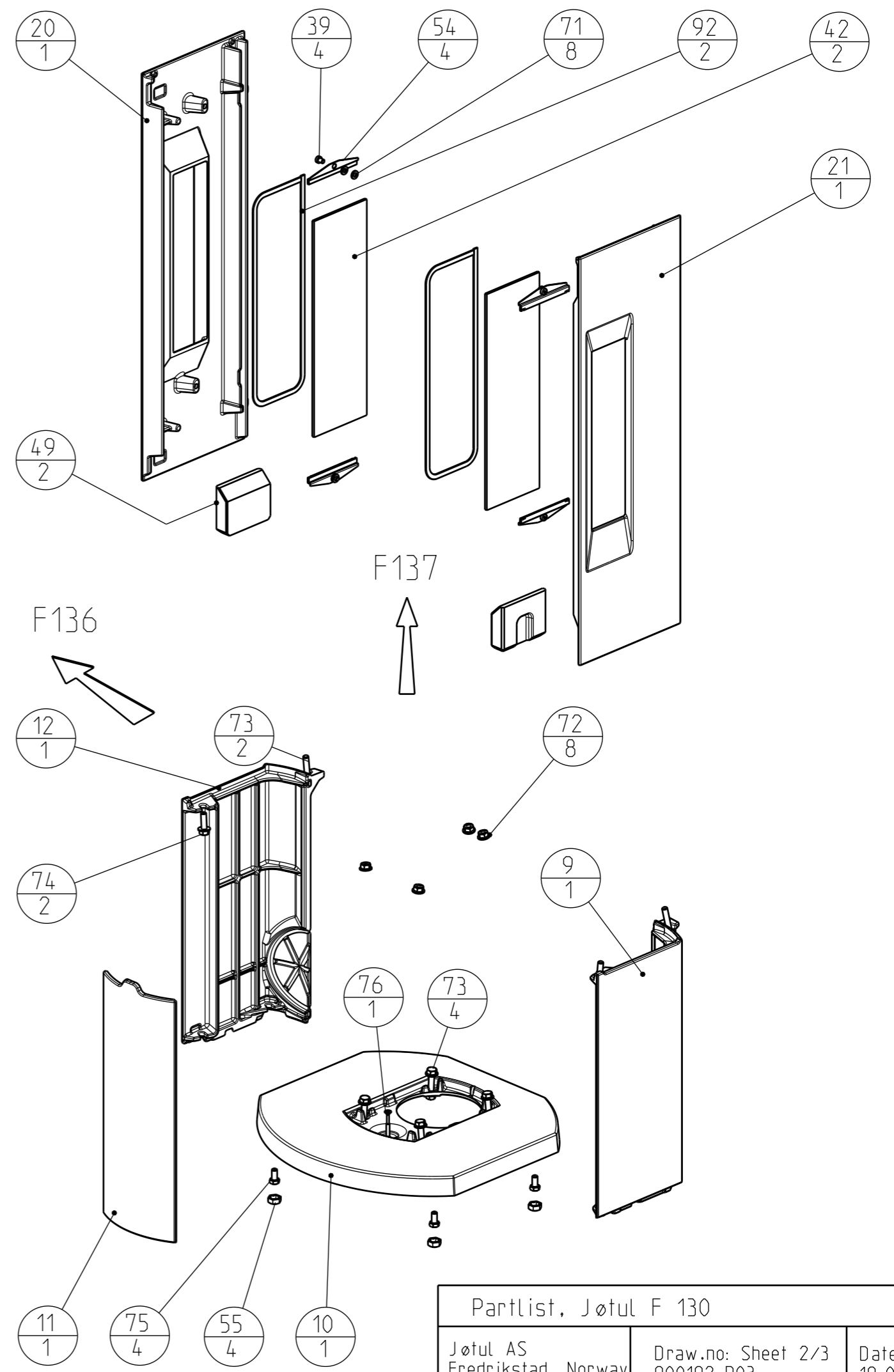
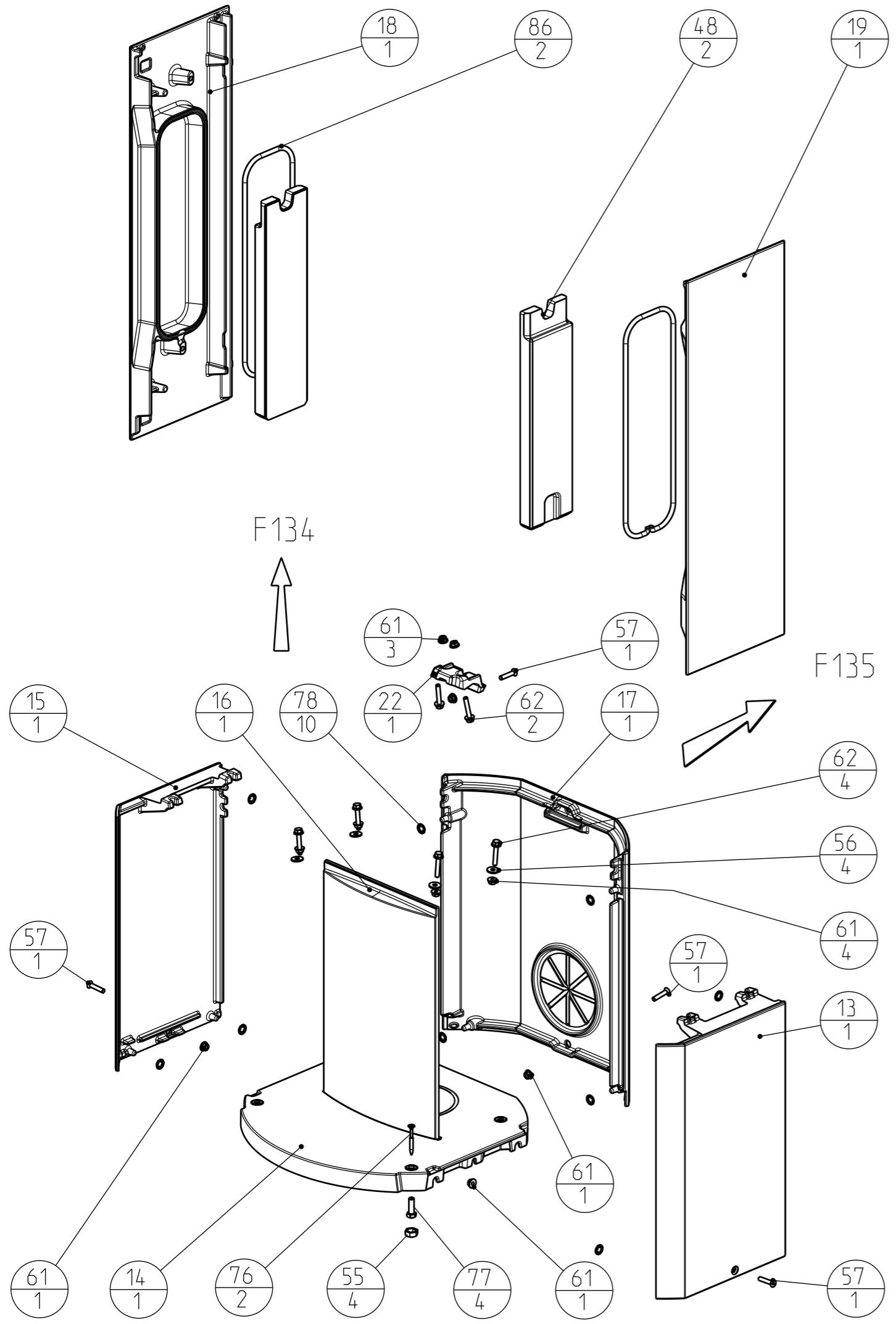


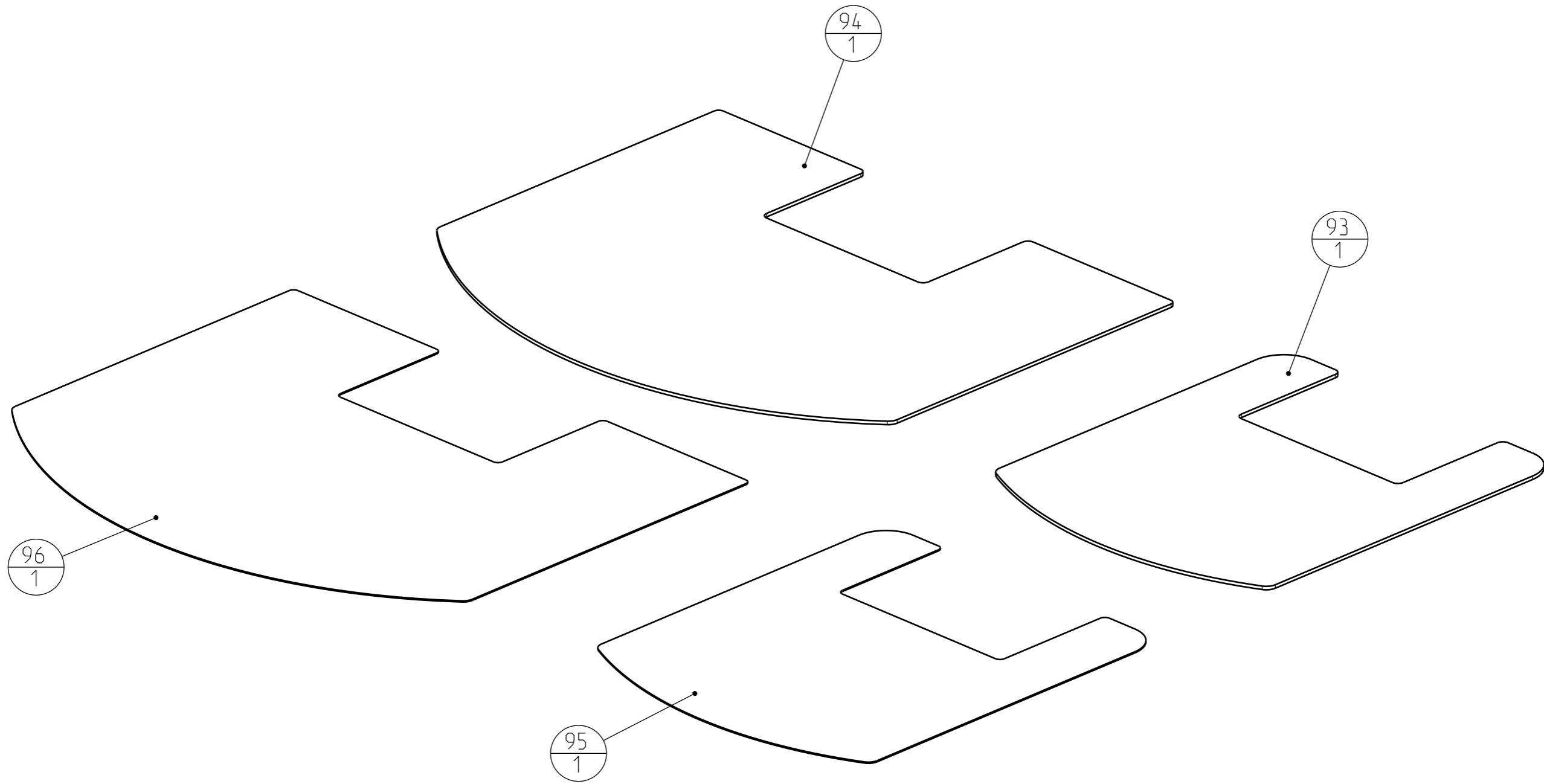
Felles deler / Common parts: F 134, F 135, F 136, F 137



Partlist, Jøtul F 130		
Jøtul AS Fredrikstad, Norway	Draw.no: Sheet 1/3 900192-P03	Date: 19.01.2021



Partlist, Jøtul F 130		
Jøtul AS Fredrikstad, Norway	Draw.no: Sheet 2/3 900192-P03	Date: 19.01.2021

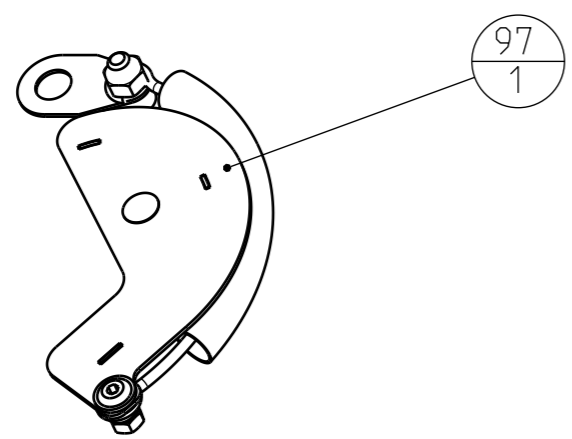


96
1

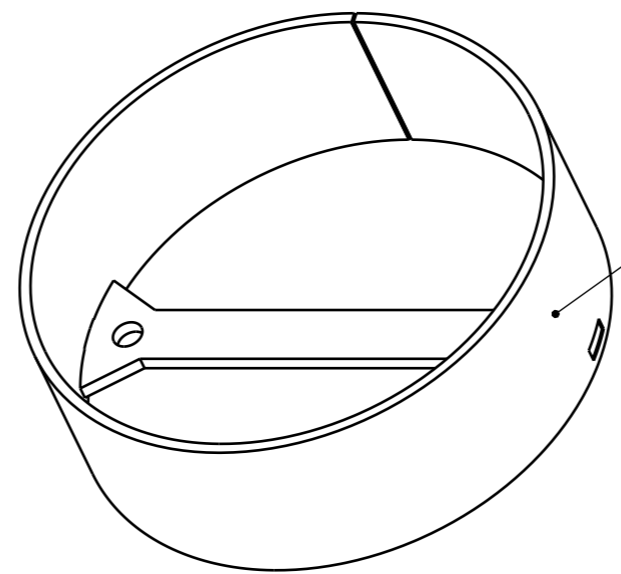
94
1

93
1

95
1



97
1



104
1

Partlist, Jøtul F 130		
Jøtul AS Fredrikstad, Norway	Draw.no: Sheet 3/3 900192-P03	Date: 19.01.2021

Jøtul F 130

F 134 BP (SOKKEL / BASE / WO SIDE WINDOW) cat. no. 30049161
 F 135 BP (SOKKEL / BASE / W SIDE WINDOW) cat. no. 30049128
 F 136 BP (SØYLE / PEDESTAL / WO SIDE WINDOW) cat. no. 30049160
 F 137 BP (SØYLE / PEDESTAL / W SIDE WINDOW) cat. no. 30049135

BP= Sort lakk/Black Paint, UP= Ulakkert/Unpainted

Pos. no.	Spareparts	Consist of pos.no:	Benevnelse	Description	Dim./Spec.
		FELLES DELER			
1	12051331		Bunnplate Brennkammer BP	Bottom Plate Burn Chamber BP	Cast Iron min 4mm thickness
2	12051332		Fyrbunn	Inner Bottom	Cast Iron min 4mm thickness
3			Glassholder	Glass Holder	Cast Iron min 4mm thickness
4	12049694		Håndtak dør BE	Handle Door BE	Cast Iron min 4mm thickness
5			Dør BP	Door BP	Cast Iron min 4mm thickness
6	12051335		Topplate BP	Top Plate BP	Cast Iron min 4mm thickness
7	12051336		Blendelukk røykuttak BP	Cover Flue Outlet BP	Cast Iron min 4mm thickness
8	12051337		Bakplate BP	Rear Plate BP	Cast Iron min 4mm thickness
30		59,60,70,87,88, 89, 90, 91	Brennkammer Komplet	Burn Chamber Complete	Steel
31		3,84	Glassholder med pakning	Glass Holder Incl. Gasket	Cast Iron min 4mm thickness
32	10049248		Låsemekanisme dør komplett	Locking Mekanism Door Complete	Stainless Steel
33	12051330	3(2 pcs), 4, 5, 32, 63(3 pcs), 64 (4 pcs), 65(4 pcs), 80 ,81(2pcs), 82, 83(2pcs), 84(2pcs)	Dør med pakninger BP	Door Incl.Gaskets BP	Cast Iron min 4mm thickness
34	10049686	44,45,46,47,48,49	Vermikulitt sett	Vermiculite set	Vermiculite 600Kg/m ³
40	10026076		Demper dørhåndtak	Damper Door Handle	Silicone 1mm
41	10049211		Glass dør	Glas Door	Ceramic glass 4mm thick
43	10025980		Hengsel dør	Hinge Door	Steel
44			Vermikulitt side bak	Vermiculite Side Back	Vermiculite 600Kg/m ³
45			Vermikulitt brennplate bak nedre	Vermiculite Burn Plate Rear Lower	Vermiculite 600Kg/m ³
46			Vermikulitt hvelv	Vermiculite Baffle	Vermiculite 600Kg/m ³
47			Vermikulitt brennplate bak øvre	Vermiculite Burn Plate Rear Upper	Vermiculite 600Kg/m ³
48			Vermikulitt side uten glass	Vermiculite Side Without Glass	Vermiculite 600Kg/m ³
49			Vermikulitt side med glass	Vermiculite Side With Glass	Vermiculite 600Kg/m ³
50	10026400		Avstandshylse	Distance Sleeve	Steel
51	10024023		Distansehylse Ø8x6 L=27,5	Distancelock Ø8x6 L=27,5	Steel
52	10049384		Skjermpate bak	Heat Shield Rear	Aluzinc DX51D AZ
53	10023998		Hylse Ø10xØ6,2x15	Sleeve Ø10xØ6,2x15	Steel
58	10023540		Skrue sekskant med flens M6x20 DIN 6921	Screw Hex Cap Flange M6x20 DIN 6921	St8.8 / ANSI B18.2
59	10023469		Skrue Seksk M8x20 ElZn DIN 933	Screw Hex M8x20 ElZn DIN 933	St8.8 / ANSI B18.2
60	10023519		Mutter sekskant M8 DIN 934	Nut Hexagon M8 DIN 934	St8.8 / ANSI B18.2
61	10023666		Mutter sekskant med flens M6 DIN 6923	Nut Hexagon Cap Flange M6 DIN 6923	St8.8 / ANSI B18.2
62	10023547		Skrue sekskant med flens M6x35 DIN 6921	Screw Hex Cap Flange M6x35 DIN 6921	St8.8 / ANSI B18.2
63	10023545		Skrue sekskant med flens M6x12 DIN 6921	Screw Hex Cap Flange M6x12 DIN 6921	St8.8 / ANSI B18.2
64	10023586		Skrue senkh innv6k DIN7991 M6x12-10.9	Flat Head Countersunk Socket DIN7991 M6x12-10.9	St10.9
65	10023541		Skrue sekskant med flens M6x16 DIN 6921	Screw Hex Cap Flange M6x16 DIN 6921	St8.8 / ANSI B18.2
66	10023535		Skrue Seksk M6x50 Helgj St8.8 ElZn	Screw Hex M6x50 St8.8 ElZn	St8.8 / ANSI B18.2
67	10023475		Mutter sekskant M6 DIN 934	Nut Hexagon M6 DIN 934	St8.8 / ANSI B18.2
68	10023576		Skrue sett M6X25 DIN916	Threadpin M6X25 DIN916	
69	10023712		Skrue sett M8x30 DIN916	Threadpin M8x30 DIN916	Steel

Pos. no.	Spareparts	Consist of pos.no:	Benevnelse	Description	Dim./Spec.
70		50027204 (5m),	Pakning for Røykstuss og Dekdel røykuttak	Gasket for Smoke Outlet and Smoke Outlet Cover	Gasket FLAT V125-8MMX5 ML 600mm
80		50027205 (5m), 50027241 (50m) 50027291 (100m)	Pakning til dørglass	Gasket For Door Glass	Gasket LD 250-2 graph Ø6,4x1410mm
81		50027204 (5m),	Pakning under glass	Gasket Under Glass	Gasket FLAT V125-8MMX5 ML 40mm
82		50027202 (5m), 50027234 (50m)	Dørpakning	Door Gasket	Gasket 360 Ø8,6X5 M 500mm
83		50027202 (5m), 50027234 (50m)	Dørpakning	Door Gasket	Gasket 360 Ø8,6X5 M 380mm
84		50027203 (5m),	Dørpakning for glassholder	Door Gasket For Glass Holder	Gasket LD 375-2 Ø9,5 880mm
85		50027204 (5m),	Pakning Blindlokk	Gasket Blind Cover	Gasket V-125x8 graph W/A L=20mm
87	10049684		Deksel røykuttak	Smoke Outlet Cover	
88	10049680		Brennkammer enhet	Brennkammer unit	
89	10049681		Ventilkasse	Air box	
90	10049682		Askeskuff	Ash tray	
91	10049683		Røykstuss dripless	Dripless Smoke Outlet	
103	10023650		Skrue sett M6x50 DIN 916	Threadpin M6x50 DIN 916	
		F 134 cat. no. 30049161 BP			
13	12051334		Sokkel side høyre BP	Base Side Right BP	Cast Iron min 4mm thickness
14	12051342		Sokkel bunnplate BP	Base Bottom BP	Cast Iron min 4mm thickness
15	12051343		Sokkel side venstre BP	Base Side Left BP	Cast Iron min 4mm thickness
16	12051344		Sokkel deksel uteluft BP	Base Cover For Outside Air BP	Cast Iron min 4mm thickness
17	12051345		Sokkel bakplate BP	Base rear Plate BP	Cast Iron min 4mm thickness
18	12051346		Venstre sideplate uten glass BP	Left Side Plate Without Glass BP	Cast Iron min 4mm thickness
19	12051348		Høyre sideplate uten glass BP	Right Side Plate Without Glass BP	Cast Iron min 4mm thickness
22	12060452	New from 2021, after Lot no. 754131	Sokkel brakett UP	Base Bracket UP	Cast Iron min 4mm thickness
48			Vermikulitt side uten glass	Vermiculite Side Without Glass	Vermiculite 600Kg/m³
55	10026268		Beskyttelsehette M8 6K sort	Protection Cap M8 Hex Black	Ceramic glass 4mm thick
56	10023780		Skive Ø6,4xØ18x1.6 Elzn DIN 9021	Washer Ø6.4xØ18x1.6 Elzn DIN 9021	Steel
57	10023709	New from 2021, after Lot no. 754131	Skrue senkh innv6k M6x30 DIN7991	Flat Head Countersunk Socket M6x30 DIN7991	St8.8 / ANSI B18.2
61	10023666		Mutter sekskant med flens M6 DIN 6923	Nut Hexagon Cap Flange M6 DIN 6923	St8.8 / ANSI B18.2
62	10023547		Skrue sekskant med flens M6x35 DIN 6921	Screw Hex Cap Flange M6x35 DIN 6921	St8.8 / ANSI B18.2
76	10038455		Skrue senkh tre Ø5,0x50 TX	Screw Countersunk Wood Ø5,0x50 TX	
77	10023470		6kt skr M8x25 DIN933 8.8 Elzn	Hex Cap Screw DIN933-M8x25-8.8 Zinc Plated	
78	10049669	Not used after 2020 Lot no. 754131, except for spareparts on pos 13,14,15,17	Starlock sterk M8	Starlock strong M8	
86		50027205 (5m), 50027241 (50m) 50027291 (100m)	Pakning sideplate uten glass	Gasket Side Plate Without Glass	LD 250-2 graph Ø6,4 950mm
		F 135 cat. no. 30049128 BP			
13	12051334		Sokkel side høyre BP	Base Side Right BP	Cast Iron min 4mm thickness
14	12051342		Sokkel bunnplate BP	Base Bottom BP	Cast Iron min 4mm thickness
15	12051343		Sokkel side venstre BP	Base Side Left BP	Cast Iron min 4mm thickness
16	12051344		Sokkel deksel uteluft BP	Base Cover For Outside Air BP	Cast Iron min 4mm thickness
17	12051345		Sokkel bakplate BP	Base rear Plate BP	Cast Iron min 4mm thickness
20	12051350		Venstre sidestykke BP	Left Side Plate BP	Cast Iron min 4mm thickness
21	12051351		Høyre sidestykke BP	Right Side Plate BP	Cast Iron min 4mm thickness
22	12060452	New from 2021, after Lot no. 754131	Sokkel brakett UP	Base Bracket UP	Cast Iron min 4mm thickness
39	10023561		Skrue sylh innv6k DIN7984 M6x8-8.8	Hex Socket Head Cap Screw DIN7984 M6x8-8.8	St8.8 / ANSI B18.2
42	10049619		Glass sides	Side Glass	Ceramic glass 4mm thick
49			Vermikulitt side med glass	Vermiculite Side With Glass	Vermiculite 600Kg/m³
54	12020930		Glassklips	Glass Clip	Stainless Steel
55	10026268		Beskyttelsehette M8 6K sort	Protection Cap M8 Hex Black	Ceramic glass 4mm thick
56	10023780		Skive Ø6,4xØ18x1.6 Elzn DIN 9021	Washer Ø6.4xØ18x1.6 Elzn DIN 9021	Steel
57	10023709	New from 2021, after Lot no. 754131	Skrue senkh innv6k M6x30 DIN7991	Flat Head Countersunk Socket M6x30 DIN7991	St8.8 / ANSI B18.2
61	10023666		Mutter sekskant med flens M6 DIN 6923	Nut Hexagon Cap Flange M6 DIN 6923	St8.8 / ANSI B18.2
62	10023547		Skrue sekskant med flens M6x35 DIN 6921	Screw Hex Cap Flange M6x35 DIN 6921	St8.8 / ANSI B18.2
71	10023464		Skive M6 Ø6,4xØ12,5x1.6 St8.8 Elzn DIN 125	Washer M6 Ø6.4xØ12.5x1.6 St8.8 Elzn. DIN 125	St8.8 / ANSI B18.2

Pos. no.	Spareparts	Consist of pos.no:	Benevnelse	Description	Dim./Spec.
76	10038455		Skrue senkh tre Ø5,0x50 TX	Screw Countersunk Wood Ø5,0x50 TX	
77	10023470		6kt skr M8x25 DIN933 8.8 Elzn	Hex Cap Screw DIN933-M8x25-8.8 Zinc Plated	
78	10049669	Not used after 2020 Lot no. 754131, except for spareparts on pos 13,14,15,17	Starlock sterk M8	Starlock strong M8	
92	10025215	50027204 (5m),	Pakning sideglass L= 800mm	Gasket Side Glass L= 800mm	V-125x8 graph W/A L=800mm
		F 136 cat. no. 30049160 BP			
9	12051352		Søyle side høyre BP	Pedestal Side Right BP	Cast Iron min 4mm thickness
10	12051353		Søyle bunn BP	Pedestal Bottom BP	Cast Iron min 4mm thickness
11	12051354		Søyle front BP	Pedestal Front BP	Cast Iron min 4mm thickness
12	12051355		Søyle side venstre BP	Pedestal Side Left BP	Cast Iron min 4mm thickness
18	12051346		Venstre sideplate uten glass BP	Left Side Plate Without Glass BP	Cast Iron min 4mm thickness
19	12051348		Høyre sideplate uten glass BP	Right Side Plate Without Glass BP	Cast Iron min 4mm thickness
48			Vermikulitt side uten glass	Vermiculite Side Without Glass	Vermiculite 600Kg/m³
55	10026268		Beskyttelsehette M8 6K sort	Protection Cap M8 Hex Black	Ceramic glass 4mm thick
72	10023667		Mutter sekskant med flens M8 DIN 6923	Nut Hexagon Cap Flange M8 DIN 6923	St8.8 / ANSI B18.2
73	10023665		Skrue sekskant med flens M8x40 DIN 6921	Screw Hex Cap Flange M8x40 DIN 6921	St8.8 / ANSI B18.2
74	10023663		Skrue sekskant med flens M8x25 DIN 6921	Screw Hex Cap Flange M8x25 DIN 6921	St8.8 / ANSI B18.2
75	10023465		Skrue sekskanthode M8x16 DIN 933	Screw Hexagon Cap M8x16 DIN 933	St8.8 / ANSI B18.2
76	10038455		Skrue senkh tre ø5x50 TX	Screw Countersunk Wood Ø5x50 TX	Steel
86		50027205 (5m), 50027241 (50m) 50027291 (100m)	Pakning sideplate uten glass	Gasket Side Plate Without Glass	LD 250-2 graph Ø6,4 950mm
		F 137 cat. no. 30049135 BP			
9	12051352		Søyle side høyre BP	Pedestal Side Right BP	Cast Iron min 4mm thickness
10	12051353		Søyle bunn BP	Pedestal Bottom BP	Cast Iron min 4mm thickness
11	12051354		Søyle front BP	Pedestal Front BP	Cast Iron min 4mm thickness
12	12051355		Søyle side venstre BP	Pedestal Side Left BP	Cast Iron min 4mm thickness
20	12051350		Venstre sidestykke BP	Left Side Plate BP	Cast Iron min 4mm thickness
21	12051351		Høyre sidestykke BP	Right Side Plate BP	Cast Iron min 4mm thickness
39	10023561		Skrue sylh innv6k DIN7984 M6x8-8.8	Hex Socket Head Cap Screw DIN7984 M6x8-8.8	St8.8 / ANSI B18.2
42	10049619		Glass sides	Side Glass	Ceramic glass 4mm thick
49			Vermikulitt side med glass	Vermiculite Side With Glass	Vermiculite 600Kg/m³
54	12020930		Glassklips	Glass Clip	Stainless Steel
55	10026268		Beskyttelsehette M8 6K sort	Protection Cap M8 Hex Black	Ceramic glass 4mm thick
71	10023464		Skive M6 Ø6,4xØ12,5x1.6 St8.8 Elzn DIN 125	Washer M6 Ø6.4xØ12.5x1.6 St8.8 Elzn. DIN 125	St8.8 / ANSI B18.2
72	10023667		Mutter sekskant med flens M8 DIN 6923	Nut Hexagon Cap Flange M8 DIN 6923	St8.8 / ANSI B18.2
73	10023665		Skrue sekskant med flens M8x40 DIN 6921	Screw Hex Cap Flange M8x40 DIN 6921	St8.8 / ANSI B18.2
74	10023663		Skrue sekskant med flens M8x25 DIN 6921	Screw Hex Cap Flange M8x25 DIN 6921	St8.8 / ANSI B18.2
75	10023465		Skrue sekskanthode M8x16 DIN 933	Screw Hexagon Cap M8x16 DIN 933	St8.8 / ANSI B18.2
76	10038455		Skrue senkh tre ø5x50 TX	Screw Countersunk Wood Ø5x50 TX	Steel
92	10025215	50027204 (5m), 50027240 (100m)	Pakning sideglass L= 800mm	Gasket Side Glass L= 800mm	V-125x8 graph W/A L=800mm
		Floor Plate Glass (NO/SE/DK/FI) cat. no. 50049584			
93	50049584		Gulvplate glass for NO/SE/DK/FI	Floor Plate Glass For NO/SE/DK/FI	WxDmm, 6mm thick, tempered
		Floor Plate Glass (Germany) cat. no. 50049586			
94	50049586		Gulvplate glass for Tyskland	Floor Plate Glass For Germany	
		Floor Plate Steel (NO/SE/DK/FI) cat. no. 51049574			
95	51049574		Gulvplate stål for NO/SE/DK/FI	Floor Plate Steel For NO/SE/DK/FI	WxDmm, 1,25mm thick, Black
		Floor Plate Steel (Germany) cat. no. 51049582			
96	51049582		Gulvplate stål for Tyskland BP	Floor Plate Steel For Germany BP	

<i>Pos. no.</i>	<i>Spareparts</i>	<i>Consist of pos.no:</i>	<i>Benevnelse</i>	<i>Description</i>	<i>Dim./Spec.</i>
		Spring Self Closing Door cat. no. 51012255			
97	51012255		Selvlukkende dørmekanisme	Bauart 1 Feder	
		Kit For F 130 Series In Germany cat. no. 51049717			
104	10049685		Røykstuss DE	Smoke Outlet DE	
	51049717	97, 104	DE kit	DE kit	